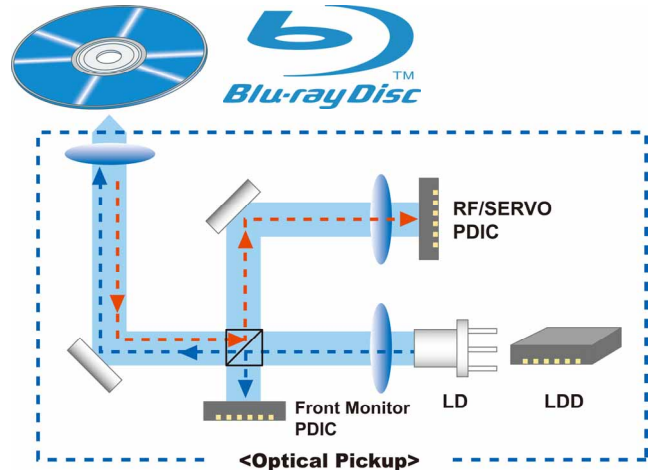


Front monitor photodiode ICs for Blu-ray devices High light-receiving sensitivity and reliability achieved!

Ultra-miniature OEIC (opto-electronics IC) optimally suited to Blu-ray players and recording drives

405 nm wavelength UV light supported, original package technology used

For providing exact control over the optimum emission power during playback and recording



Blu-ray DISC and the Blu-ray DISC mark are trademarks of Blu-ray DISC Association.

BD-Combi / For Blu-ray players

Photodiode size: 1 mm x 1 mm, light-receiving sensitivity at 405: 0.28 A/W

LA0225CV

For Blu-ray recording drives and recorders

Photodiode size: 0.7 mm diameter, 405 nm optical output: 1.04 mV/μW

LV0220CS

Two different types of OEICs (opto-electronic conversion IC) for RF/servo and a front monitor for laser diode—as light-receiving ICs containing a photodiode are used in optical pickups.

These ICs are **front monitor OEICs** optimally suited to Blu-ray devices: They adjust the emission power of the laser diode to the optimum level for playback and recording, and monitor the level.

UV light equivalent to the Blu-ray wavelength of 405 nm supported
Transparent resin discoloration and cracking issues now resolved!

SANYO Semiconductor's original
Hermetically sealed glass* package

OD-CSP

Industry's smallest size

As of September 2008

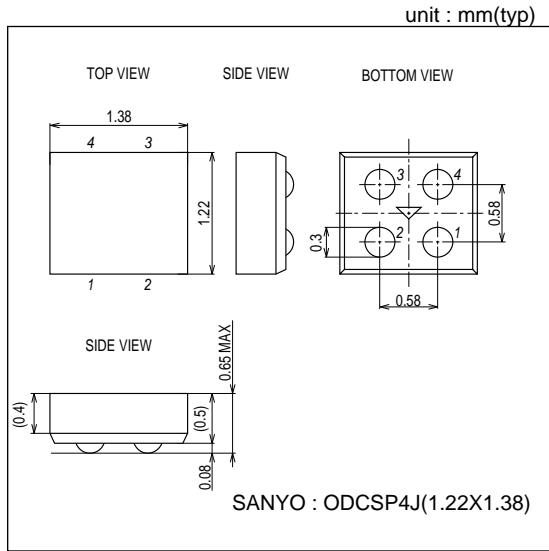
*Cover glass with top AR coating used

Specifications

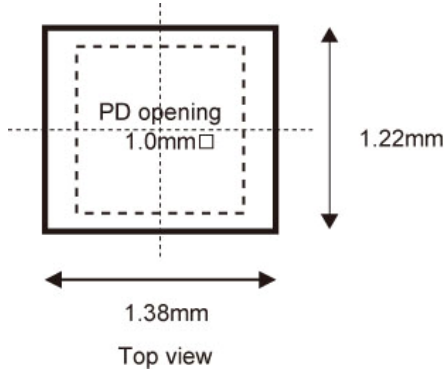
Front monitor OEIC application	For BD combi players, Blu-ray players	For Blu-ray recording drives
Type Number	LA0225CV	LV0220CS
Package	ODCSP4J(1.22x1.38)	ODCSP10(1.4x1.91)
Package Dimensions	1.22x1.38, t=0.58 mm	1.4x1.91, t=0.6 mm
External Appearance Photos (Bottom view, Top view)		
Specifications	Photodiode dimensions = 1 mm x 1 mm 405 nm light-receiving sensitivity = 0.28 A/W Dark current = 6 pA/typ	Photodiode dimensions = 0.7 mm diameter 405 nm optical output = 1.04 mV/μW 405 nm frequency characteristics = 50 MHz/typ



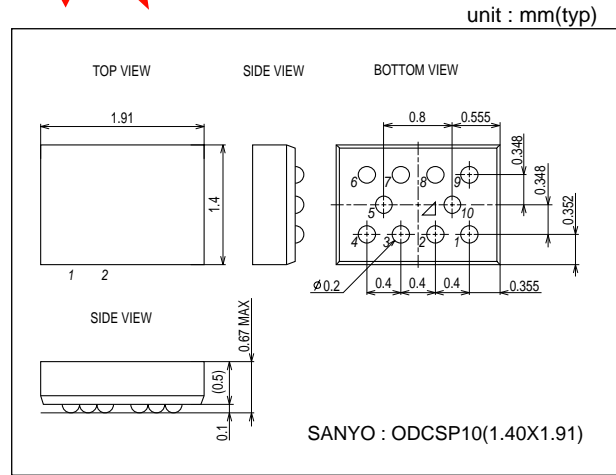
LA0225CV



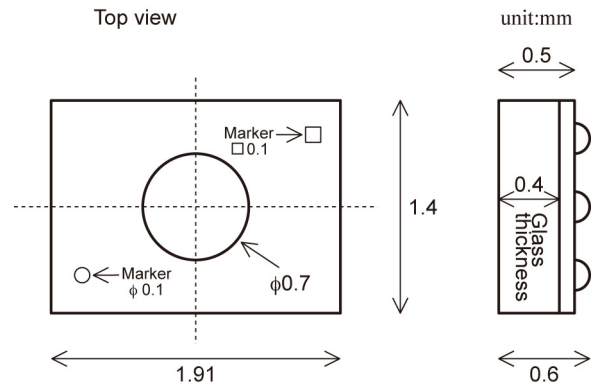
PD opening center and package center are the same.



LV0220CS



PD opening dimension = 0.7 mm diameter, PD opening center and package center are the same.



LV0220CS Block measurement circuit diagram

