

Digital Tuner System Chipset for Automotive Application

All-In-One LSI for CD / Radio / Audio signal processing !

SDRCDS500

(SANYO Digital Radio CD System 500)

▼ Chipset Composition ▼

LV25450PW

AM/FM Global Tuner
Front-End LSI for automotive application

LC75045PE

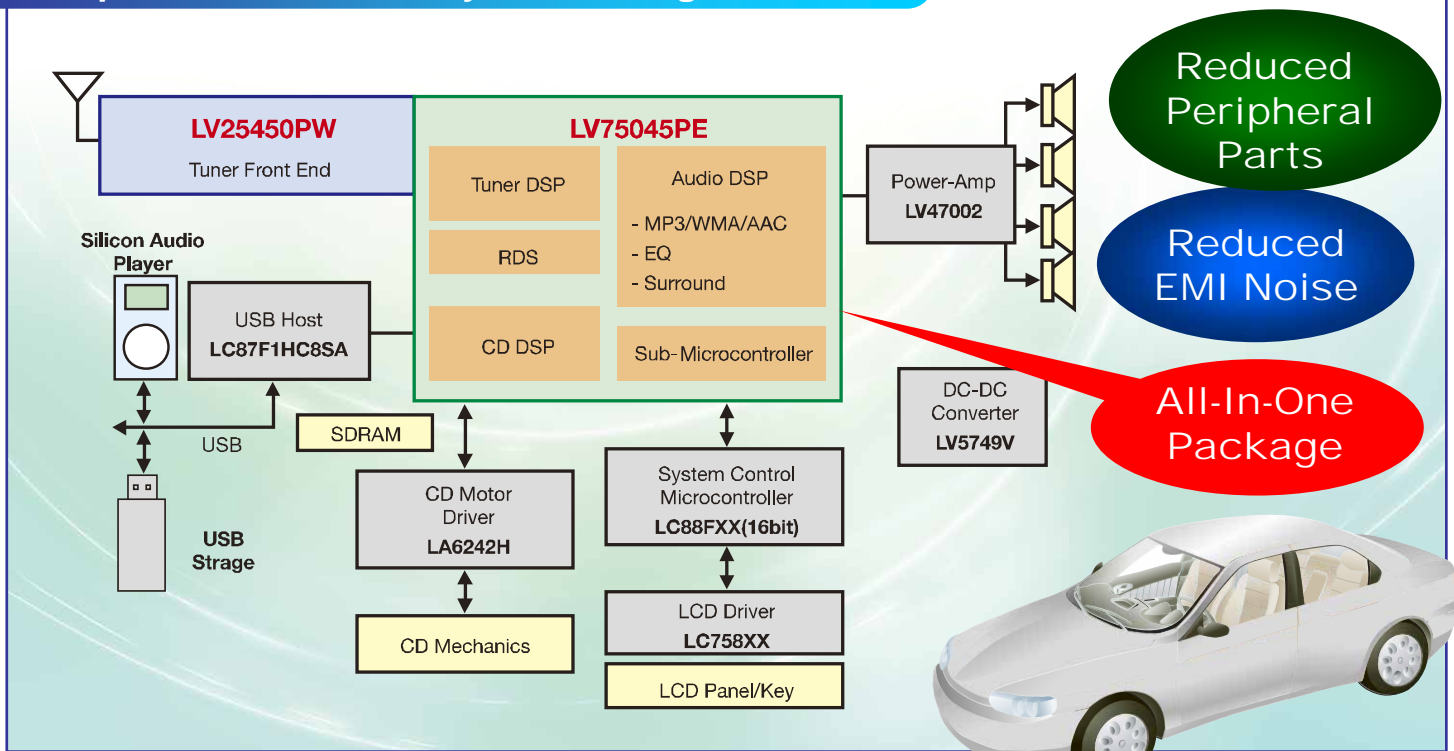
Digital Tuner Back-End LSI
of Audio / Radio / CD DSP



Reduced PCB Area / High-Quality Sound /
WMA/MP3 / AAC Playback

Meets the market demand !!

Example of SDRCD500 System Configuration

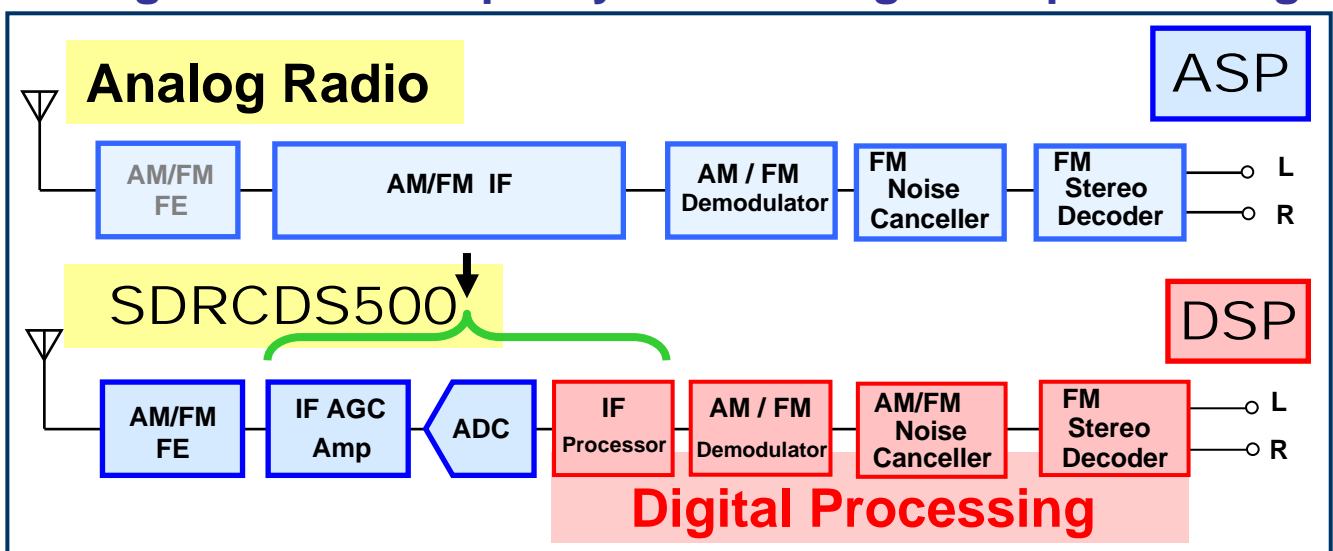


Feature of LV25450PW (Tuner-Front-End LSI)

- ◆ **AM / FM Global Tuner**
 - FM: US, Euro, E-Euro, JPN, Weather Band
 - AM: LW, MW, SW
- ◆ **Control command is transferred via LC75045PE**
- ◆ **FM MIX Image Cancel Mixer is implemented**
- ◆ **VDD: 5V,8V Package: 64pin (0.5mm pitch)**

Feature of LC75045PE (Back-End LSI)

- ◆ **Reduced PCB area**
⇒ CD-DSP / Radio tuning / Audio Signal Processor are integrated
- ◆ **Higher in sound quality than analog radio processing**



- Digital signal processing after AM/FM demodulation → Improves reception sensitivity
- High-precision digital noise reduction algorithm → Reduces radio noise
- ◆ **Audio-DSP / CD-DSP**
 - Compliant to various audio processing algorithms (customizable)
 - Playbacks compressed audio signal formats (**WMA, MP3, AAC**)
 - **Warning sound generator is implemented** (Sonar sound, Click sound, etc)
 - CD Functions (RF Signal processor for CD-DA/R/RW, CD-Servo, Anti-shock, etc)
- ◆ **Simplified system control (sub-microcontroller is included)**
- ◆ **VDD: 1.2V, 3.3V, 5V Package: 256 pin (0.4mm pitch)**