

Released on Mar. 26,2009

## Complete alignment-free radio tuner IC developed

No alignments necessary !

Number of peripheral components reduced by **70%**

Complete alignment-free AM/FM radio tuner IC for home audio equipment

### LV23400V

Sample shipment will begin in March 2009.

Production plan : 30,000pcs/month

Sample price : 500 yen



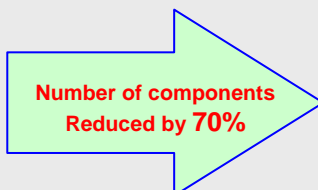
#### Features

- No alignments necessary. Complete alignment-free AM/FM radio tuner IC.
- Number of peripheral components reduced by 70%( compared to our conventional products)
- High audio output level and no external circuit

#### Comparison with our conventional product



Our conventional product



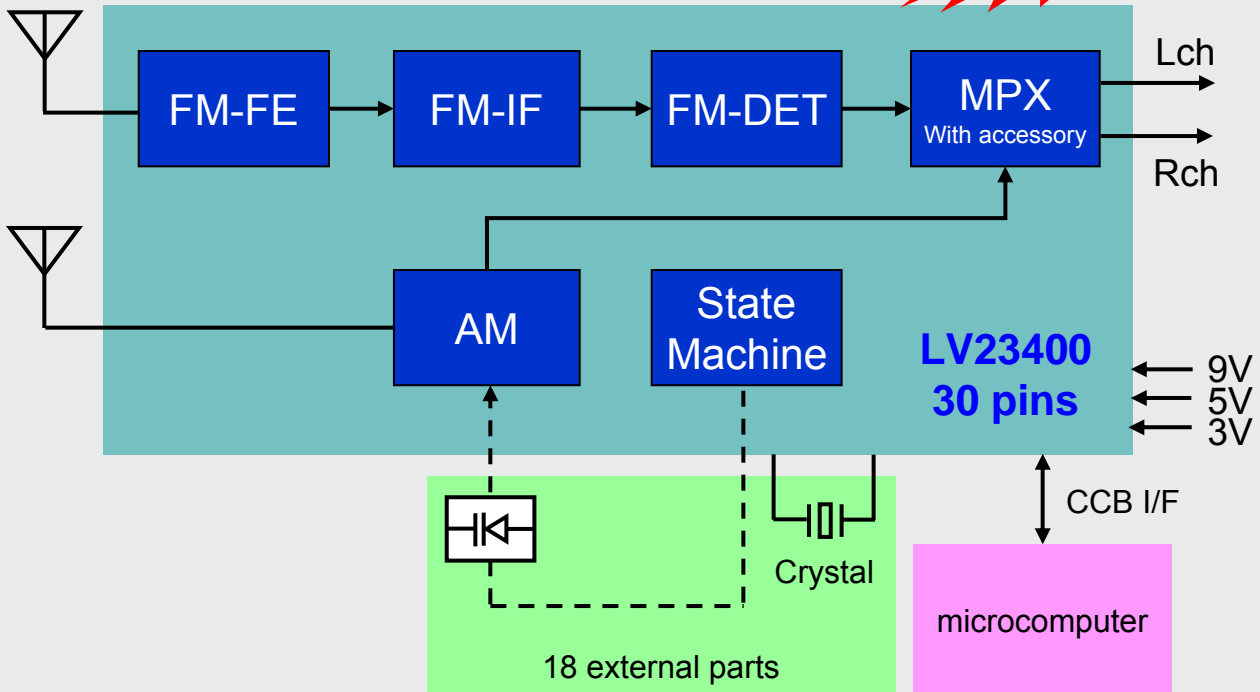
New product LV23400V

\*The information presented in this product topics, including device specifications, is current as of the date of the press release.

Note, however, that this information is subject to change without notice and thus at later dates the current state may differ in certain details from the content presented here.

Block diagram

Comprises an auto alignment circuit and complete alignment-free.



Function

- AM/FM tuner
- MPX stereo decoder
- Tuning system

Specification

- Support for reception of worldwide bands ( FM=64-108MHz,AM=520-1710kHz )
- Low IF frequency ( FM=225kHz,AM=53kHz )
- Soft muting and stereo blend functions ( 7-step software control )
- Audio output level adjustable ( 4-step software control )
- Package : SSOP 30 pins ( 10.2mm x 7.6mm x 1.5mm )
- SANYO CCB Bus \*1 Control method

\*1 : CCB is SANYO's original bus format and all the bus addresses are controlled by SANYO.